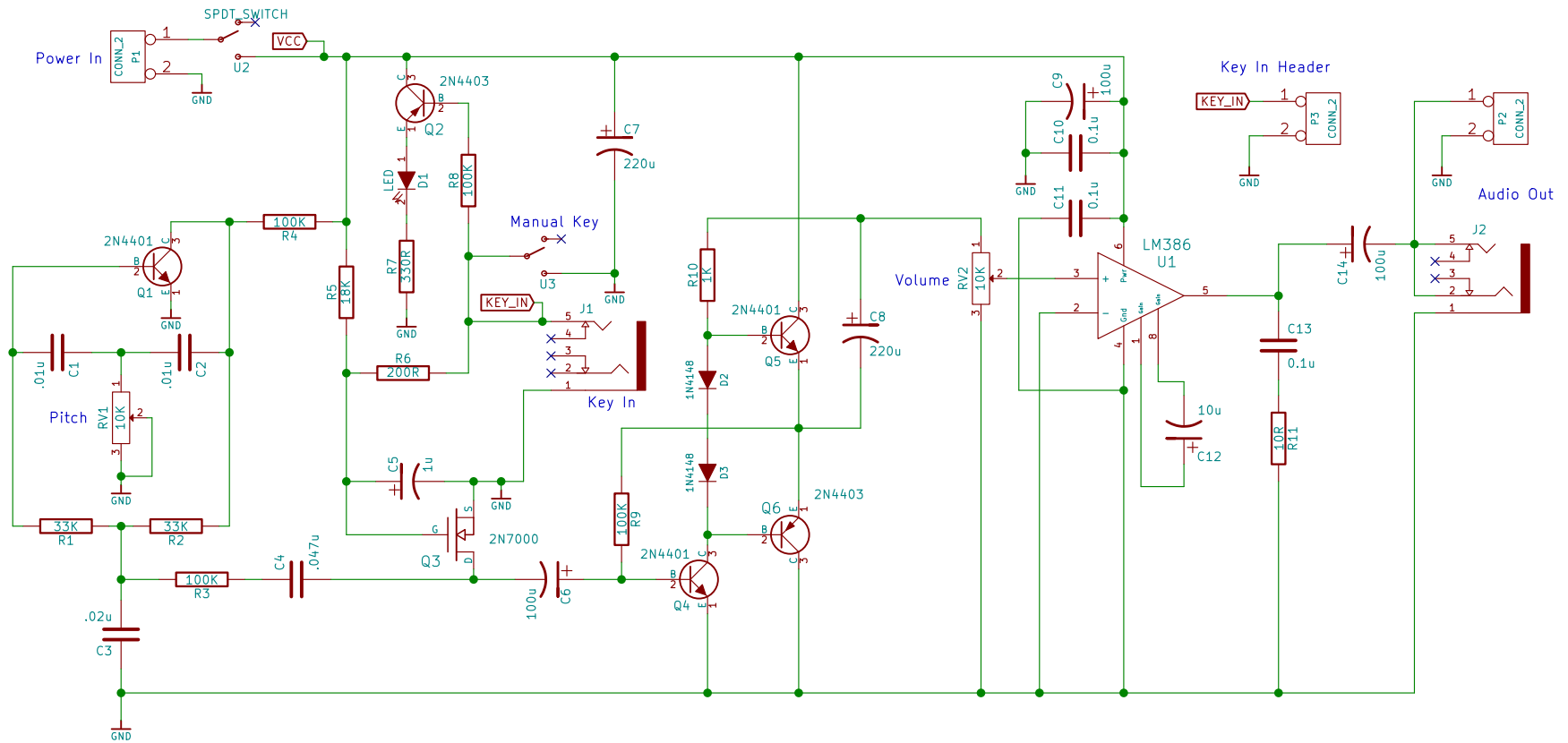


Twin 'T' Morse Practice Oscillator v2.05 [StAR Edition]

by Mike Maynard – K4ICY

Circuit modification and layout by Steve Smith – G0TDJ



Disc Capacitor Values

- .1u/100nf (104)
- .01u/10n (103)
- .02u/22n (223)
- .047/47n (473)

www.ProjectVIR.com

Sheet: /

File: CW Practice Oscillator v2.05 StAR Edition.sch

Title: Twin 'T' Morse Practice Oscillator by Mike Maynard – K4ICY

Size: A4

Date:

Rev: v2.01

KiCad E.D.A. kicad 4.0.7

Id: 1/1