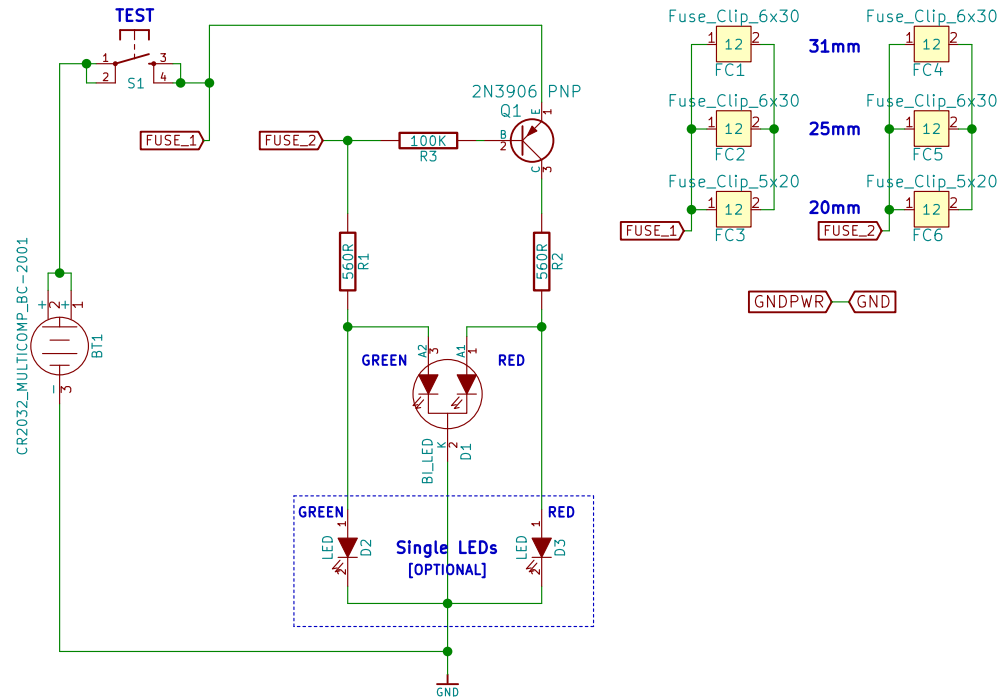


Active Fuse Tester v1.02

by Steve Smith – GOTDJ



www.ProjectVIR.com

Sheet: /		File: Fuse Tester v1.02.sch	
Title: Active Fuse Tester			
Size: A4	Date:	Rev: v1.01	
KiCad E.D.A. kicad 4.0.7		Id: 1/1	